

DRAWING MADE IN THIRD ANGLE PROJECTION

3

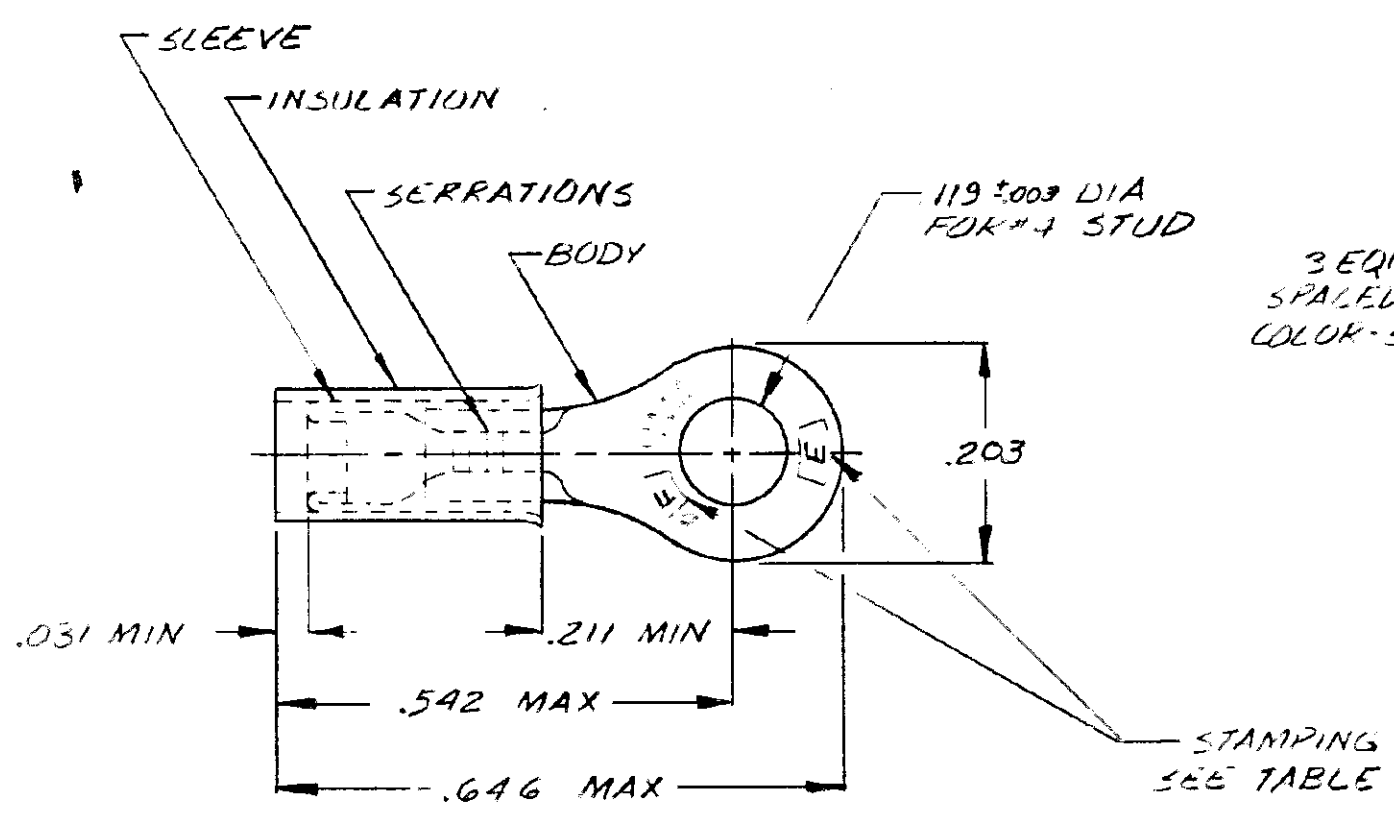
2

1

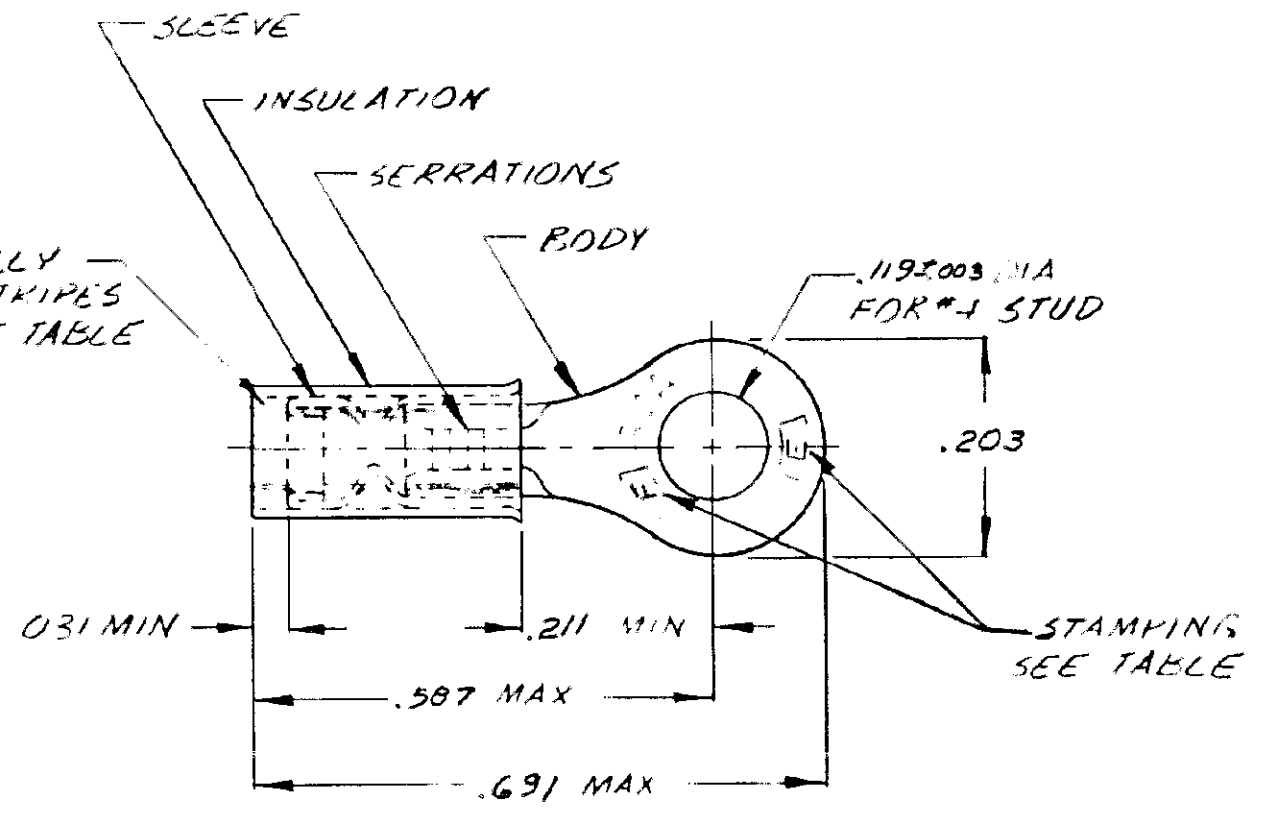
LOC 14 DIST 14

THIS DRAWING IS UNPUBLISHED. RELEASED FOR PUBLICATION, 19
 © COPYRIGHT 19 BY AMP INCORPORATED, HARRISBURG, PA. ALL INTERNATIONAL RIGHTS RESERVED. AMP PRODUCTS MAY BE COVERED BY U.S. AND FOREIGN PATENTS AND/OR PATENTS PENDING.

REVISIONS						
REV	DATE	DESCRIPTION	DATE	APPROVED	BY	CHKD
K	1/3/86	REVISED & REDRAWN PER G-4422 & PER G-4425 FOR WIRE SIZE B			PM	
L	2/21/87	OBSELETE 2--4 & 2--5/G-2393			GS	PM
M	4/2/88	OBSELETE 2--3 PER G-4481			TM	PM
N	4-7-93	REV/0720-0060-93			TG	ML
P	2/MAR/96	REV/0720-0935-95			ME	TM



STYLE A



STYLE B
INSULATION RESTRICTING

- 1 TONGUE MATERIAL THK - .018 ± .002
- △ TIN PL MIL-T-10727
- △ NICKEL PL QQ-N 290

PART NO	PACKAGE TYPE	QTY	STYLE	E	F	WIRE INS DIA	STRIP IN OR
323914-1	LOOSE PC, BOX	100	A			.050-.082	
323914-2	LOOSE PIECE		L			.031-.055	
323914-1	ON TAPE, REEL	4000	A			.050-.082	
323914	LOOSE PIECE		L			.050-.082	

OBS
OBS
CBS

26-22		△	8-323914-1
24	TIN PL MIL-T-10727	△	8-323914-2
26-22		△	8-323914-1
26-22		△	8-323914
WIRE SIZE	BODY SLEEVE DIVISION	MATERIAL	PART NO
		BODY & SLEEVE: COPPER ASTM B 152 INSULATION NYLON TYPE I FILM 20693 COLOR, YELLOW	

UNLESS OTHERWISE SPECIFIED DIMENSIONS ARE IN INCHES TOLERANCES ON DECIMALS ARE ± .005	REVISIONS REV 1/1/86 REV 2/21/87 REV 4/2/88 REV 4-7-93 REV 2/MAR/96	AMP INCORPORATED Harrisburg Pa 17105
MATERIAL SEE TABLE	DATE APP'D 1/3/86	NAME TERMINAL, PIDG, RING
FINISH SEE TABLE	OTHER APP'D	SIZE C FSCM NO 00779 DRAWING NO 323914
		SCALE NTS SHEET

CUSTOMER DRAWING